

Leveling Feet

Stainless Steel

SPECIFICATION

Types (Base plate)

- Type **DO**: Without rubber pad
- Type **BO**: Without rubber pad, with 2 mounting holes
- Type **D1**: With rubber pad, clipped on, black
- Type **D3**: With rubber pad, vulcanized, black

Version (Screw)

- Version **S**: Without nut, external hex at the bottom
- Version **SK**: With nut, external hex at the bottom
- Version **T**: Without nut, wrench flat at the bottom
- Version **TK**: With nut, wrench flat at the bottom
- Version **U**: Without nut, hex socket at the top and wrench flat at the bottom
- Version **UK**: With nut, hex socket at the top and wrench flat at the bottom
- Version **V**: Without nut, external hex at the top and wrench flat at the bottom
- Version **VK**: With nut, external hex at the top and wrench flat at the bottom
- Version **W**: With adjustable sleeve, covered thread and wrench flat at the bottom
- Version **X**: External hex with internal thread

Base plate

Stainless steel AISI 304

Blank ground

Threaded stem

Stainless steel AISI 303

Hex nut ISO 4032

Stainless steel

Rubber pad

Clipped on

Black, TPE (Santoprene®)

≈ 80 Shore A

Rubber pad

Vulcanized

Black, NBR (Perbunan®)

70 ± 5 Shore A

INFORMATION

Leveling feet GN 41 are for use in aggressive environments. The range of combinations of base plates and adjustable spindle versions allows these leveling feet to be used in every situation.

The base plate with the rubber pad protects sensitive surfaces and reduces lateral slippage. The type B0 can also be fastened to the mounting surface through two holes.

The leveling feet are supplied fully assembled and are not removable.

TECHNICAL INFORMATION

- Plastic Characteristics (see page A2)
- Stainless Steel Characteristics (see page A26)



LOAD RATING OF LEVELING FEET

The static load bearing capacity given in the table rests on a test series in which the load has been applied perpendicular to the base plate (without rubber underlay). For the values given in the table, the strain relief may result in minor deformations of the base plate.

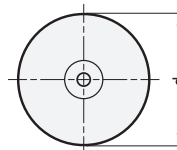
Bending and buckling stress which often occurs in practice results in a lower load bearing capacity of the adjustment spindle and may have to be taken into account.

Also, the spindle strength is assumed to be $\geq 500 \text{ N/mm}^2$.

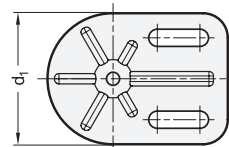
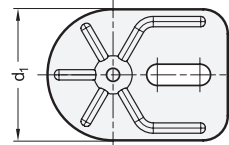
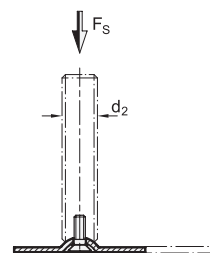
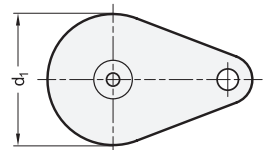
The details given on strength are nonbinding guide values without any liability. In general, they do not constitute a warranty of quality.

The user must determine from case to case if a product is suitable for the intended purpose or use. Environmental factors may influence the stated values.

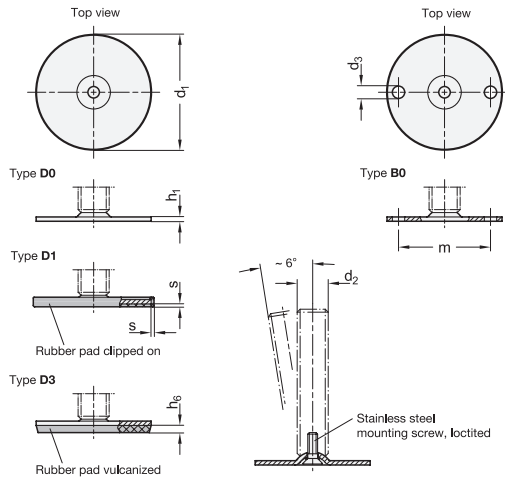
GN 41 / GN 44



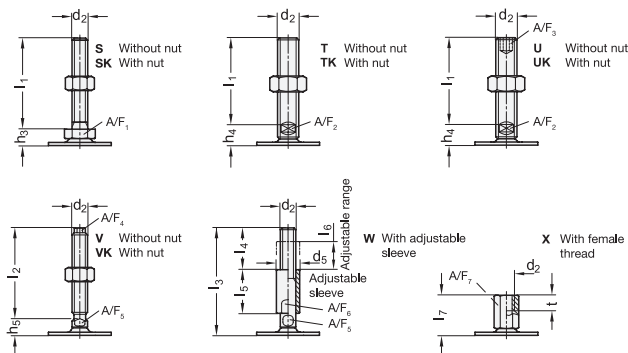
GN 43 / GN 45



Versions of threaded stem		
S / SK: External hex at the bottom at d_2 M 8, M 10, M 12	T / TK: Wrench flat at the bottom at d_2 M 16, M 20, M 24	U / UK: Hex socket at the top and wrench flat at the bottom at d_2 M 16, M 20, M 24
V / VK: External hex at the top and wrench flat at the bottom at d_2 M 16, M 20, M 24	W: Covered thread and wrench flat at the bottom at d_2 M 16, M 20, M 24	X: External hex with internal thread at d_2 M 8, M 10, M 12, M 16, M 20

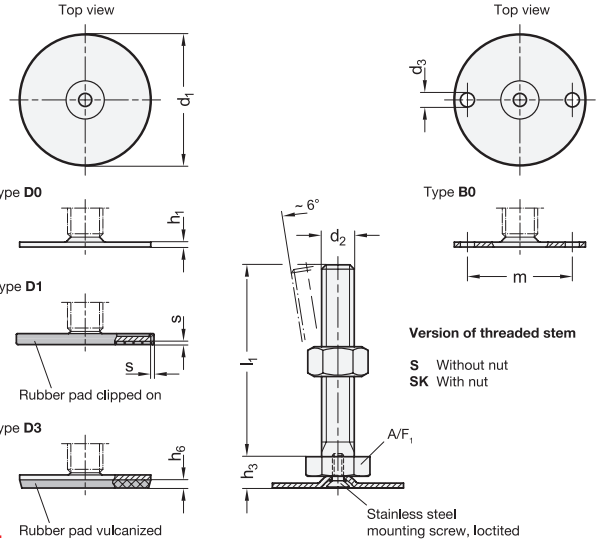


Versions of threaded stem





Leveling elements 11



* Complete with version of the Leveling feet (External hex at the bottom)

S without nut
SK with nut

GN 41-S/SK

STAINLESS STEEL

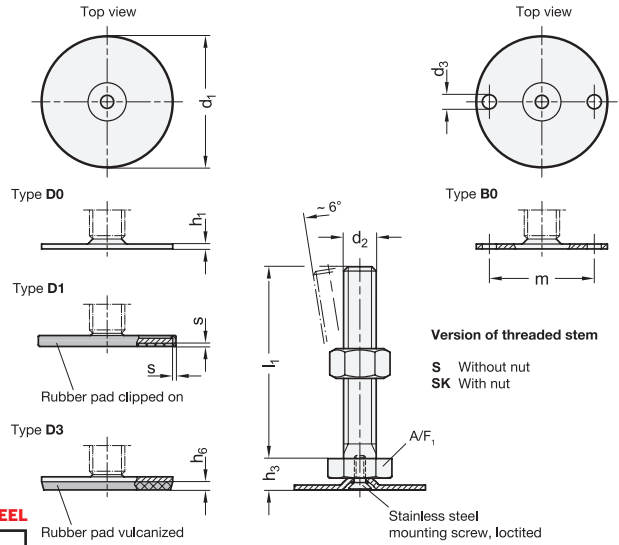
Description	d1	d2	l1	d3	h1	h3	h6	m	s	A/F1	Static load in kN	
GN 41-40-M8-40-D0-*	40	M 8	40	-	2	11	-	30	-	17	8	40
GN 41-40-M8-40-B0-*	40	M 8	40	5.4	2	11	-	30	-	17	8	138
GN 41-40-M8-40-D1-*	40	M 8	40	-	2	11	-	30	1.5	17	8	43
GN 41-40-M8-40-D3-*	40	M 8	40	-	2	11	3.5	30	-	17	8	41
GN 41-40-M8-50-D0-*	40	M 8	50	-	2	11	-	30	-	17	8	44
GN 41-40-M8-50-B0-*	40	M 8	50	5.4	2	11	-	30	-	17	8	142
GN 41-40-M8-50-D1-*	40	M 8	50	-	2	11	-	30	1.5	17	8	47
GN 41-40-M8-50-D3-*	40	M 8	50	-	2	11	3.5	30	-	17	8	45
GN 41-40-M8-63-D0-*	40	M 8	63	-	2	11	-	30	-	17	8	48
GN 41-40-M8-63-B0-*	40	M 8	63	5.4	2	11	-	30	-	17	8	146
GN 41-40-M8-63-D1-*	40	M 8	63	-	2	11	-	30	1.5	17	8	51
GN 41-40-M8-63-D3-*	40	M 8	63	-	2	11	3.5	30	-	17	8	49
GN 41-40-M10-50-D0-*	40	M 10	50	-	2	11	-	30	-	17	12	53
GN 41-40-M10-50-B0-*	40	M 10	50	5.4	2	11	-	30	-	17	12	151
GN 41-40-M10-50-D1-*	40	M 10	50	-	2	11	-	30	1.5	17	12	56
GN 41-40-M10-50-D3-*	40	M 10	50	-	2	11	3.5	30	-	17	12	54
GN 41-40-M10-60-D0-*	40	M 10	60	-	2	11	-	30	-	17	12	77
GN 41-40-M10-60-B0-*	40	M 10	60	5.4	2	11	-	30	-	17	12	175
GN 41-40-M10-60-D1-*	40	M 10	60	-	2	11	-	30	1.5	17	12	80
GN 41-40-M10-60-D3-*	40	M 10	60	-	2	11	3.5	30	-	17	12	78
GN 41-40-M10-80-D0-*	40	M 10	80	-	2	11	-	30	-	17	12	67
GN 41-40-M10-80-B0-*	40	M 10	80	5.4	2	11	-	30	-	17	12	185
GN 41-40-M10-80-D1-*	40	M 10	80	-	2	11	-	30	1.5	17	12	90
GN 41-40-M10-80-D3-*	40	M 10	80	-	2	11	3.5	30	-	17	12	88
GN 41-40-M10-100-D0-*	40	M 10	100	-	2	11	-	30	-	17	12	98
GN 41-40-M10-100-B0-*	40	M 10	100	5.4	2	11	-	30	-	17	12	196
GN 41-40-M10-100-D1-*	40	M 10	100	-	2	11	-	30	1.5	17	12	101
GN 41-40-M10-100-D3-*	40	M 10	100	-	2	11	3.5	30	-	17	12	99
GN 41-40-M12-60-D0-*	40	M 12	60	-	2	11	-	30	-	17	12	91
GN 41-40-M12-60-B0-*	40	M 12	60	5.4	2	11	-	30	-	17	12	189
GN 41-40-M12-60-D1-*	40	M 12	60	-	2	11	-	30	1.5	17	12	94
GN 41-40-M12-60-D3-*	40	M 12	60	-	2	11	3.5	30	-	17	12	92
GN 41-40-M12-80-D0-*	40	M 12	80	-	2	11	-	30	-	17	12	105
GN 41-40-M12-80-B0-*	40	M 12	80	5.4	2	11	-	30	-	17	12	203
GN 41-40-M12-80-D1-*	40	M 12	80	-	2	11	-	30	1.5	17	12	106
GN 41-40-M12-80-D3-*	40	M 12	80	-	2	11	3.5	30	-	17	12	108
GN 41-40-M12-100-D0-*	40	M 12	100	-	2	11	-	30	-	17	12	100
GN 41-40-M12-100-B0-*	40	M 12	100	5.4	2	11	-	30	-	17	12	198
GN 41-40-M12-100-D1-*	40	M 12	100	-	2	11	-	30	1.5	17	12	103
GN 41-40-M12-100-D3-*	40	M 12	100	-	2	11	3.5	30	-	17	12	101
GN 41-40-M12-125-D0-*	40	M 12	125	-	2	11	-	30	-	17	12	137
GN 41-40-M12-125-B0-*	40	M 12	125	5.4	2	11	-	30	-	17	12	235
GN 41-40-M12-125-D1-*	40	M 12	125	-	2	11	-	30	1.5	17	12	140
GN 41-40-M12-125-D3-*	40	M 12	125	-	2	11	3.5	30	-	17	12	138
GN 41-50-M8-40-D0-*	50	M 8	40	-	2.5	11	-	38	-	17	8	60
GN 41-50-M8-40-B0-*	50	M 8	40	6.6	2.5	11	-	38	-	17	8	60
GN 41-50-M8-40-D1-*	50	M 8	40	-	2.5	11	-	38	2	17	8	66
GN 41-50-M8-40-D3-*	50	M 8	40	-	2.5	11	4	38	-	17	8	61
GN 41-50-M8-50-D0-*	50	M 8	50	-	2.5	11	-	38	-	17	8	64
GN 41-50-M8-50-B0-*	50	M 8	50	6.6	2.5	11	-	38	-	17	8	60
GN 41-50-M8-50-D1-*	50	M 8	50	-	2.5	11	-	38	2	17	8	70
GN 41-50-M8-50-D3-*	50	M 8	50	-	2.5	11	4	38	-	17	8	65

GN 41-S/SK

STAINLESS STEEL

Description	d1	d2	l1	d3	h1	h3	h6	m	s	A/F1	Static load in kN	
GN 41-50-M8-63-D0-*	50	M 8	63	-	2.5	11	-	38	-	17	8	68
GN 41-50-M8-63-B0-*	50	M 8	63	6.6	2.5	11	-	38	-	17	8	65
GN 41-50-M8-63-D1-*	50	M 8	63	-	2.5	11	-	38	2	17	8	74
GN 41-50-M8-63-D3-*	50	M 8	63	-	2.5	11	4	38	-	17	8	69
GN 41-50-M10-50-D0-*	50	M 10	50	-	2.5	11	-	38	-	17	14	73
GN 41-50-M10-50-B0-*	50	M 10	50	6.6	2.5	11	-	38	-	17	14	70
GN 41-50-M10-50-D1-*	50	M 10	50	-	2.5	11	-	38	2	17	14	79
GN 41-50-M10-50-D3-*	50	M 10	50	-	2.5	11	4	38	-	17	14	74
GN 41-50-M10-60-D0-*	50	M 10	60	-	2.5	11	-	38	-	17	14	77
GN 41-50-M10-60-B0-*	50	M 10	60	6.6	2.5	11	-	38	-	17	14	74
GN 41-50-M10-60-D1-*	50	M 10	60	-	2.5	11	-	38	2	17	14	83
GN 41-50-M10-60-D3-*	50	M 10	60	-	2.5	11	4	38	-	17	14	78
GN 41-50-M10-80-D0-*	50	M 10	80	-	2.5	11	-	38	-	17	14	107
GN 41-50-M10-80-B0-*	50	M 10	80	6.6	2.5	11	-	38	-	17	14	104
GN 41-50-M10-80-D1-*	50	M 10	80	-	2.5	11	-	38	2	17	14	113
GN 41-50-M10-80-D3-*	50	M 10	80	-	2.5	11	4	38	-	17	14	108
GN 41-50-M10-100-D0-*	50	M 10	100	-	2.5	11	-	38	-	17	14	118
GN 41-50-M10-100-B0-*	50	M 10	100	6.6	2.5	11	-	38	-	17	14	115
GN 41-50-M10-100-D1-*	50	M 10	100	-	2.5	11	-	38	2	17	14	124
GN 41-50-M10-100-D3-*	50	M 10	100	-	2.5	11	4	38	-	17	14	119
GN 41-50-M12-60-D0-*	50	M 12	60	-	2.5	11	-	38	-	17	14	111
GN 41-50-M12-60-B0-*	50	M 12	60	6.6	2.5	11	-	38	-	17	14	108
GN 41-50-M12-60-D1-*	50	M 12	60	-	2.5	11	-	38	2	17	14	117
GN 41-50-M12-60-D3-*	50	M 12	60	-	2.5	11	4	38	-	17	14	112
GN 41-50-M12-80-D0-*	50	M 12	80	-	2.5	11	-	38	-	17	14	125
GN 41-50-M12-80-B0-*	50	M 12	80	6.6	2.5	11	-	38	-	17	14	122
GN 41-50-M12-80-D1-*	50	M 12	80	-	2.5	11	-	38	2	17	14	131
GN 41-50-M12-80-D3-*	50	M 12	80	-	2.5	11	4	38	-	17	14	126
GN 41-50-M12-100-D0-*	50	M 12	100	-	2.5	11	-	38	-	17	14	140
GN 41-50-M12-100-B0-*	50	M 12	100	6.6	2.5	11	-	38	-	17	14	137
GN 41-50-M12-100-D1-*	50	M 12	100	-	2.5	11	-	38	2	17	14	146
GN 41-50-M12-100-D3-*	50	M 12	100	-	2.5	11	4	38	-	17	14	141
GN 41-50-M12-125-D0-*	50	M 12	125	-	2.5	11	-	38	-	17	14	157
GN 41-50-M12-125-B0-*	50	M 12	125	6.6	2.5	11	-	38	-	17	14	154
GN 41-50-M12-125-D1-*	50	M 12	125	-	2.5	11	-	38	2	17	14	163
GN 41-50-M12-125-D3-*	50	M 12	125	-	2.5	11	4	38	-	17	14	158

Weight Version S



* Complete with version of the Leveling feet (External hex at the bottom)

S without nut
SK with nut

GN 41-S/SK

STAINLESS STEEL

Description	d1	d2	l1	d3	h1	h3	h6	m	s	A/F1	Static load in kN	
GN 41-60-M8-40-D0-*	60	M 8	40	-	2.5	11	-	48	-	17	8	74
GN 41-60-M8-40-B0-*	60	M 8	40	6.6	2.5	11	-	48	-	17	8	74
GN 41-60-M8-40-D1-*	60	M 8	40	-	2.5	11	-	48	2	17	8	82
GN 41-60-M8-40-D3-*	60	M 8	40	-	2.5	11	4.5	48	-	17	8	81
GN 41-60-M8-50-D0-*	60	M 8	50	-	2.5	11	-	48	-	17	8	78
GN 41-60-M8-50-B0-*	60	M 8	50	6.6	2.5	11	-	48	-	17	8	78
GN 41-60-M8-50-D1-*	60	M 8	50	-	2.5	11	-	48	2	17	8	86
GN 41-60-M8-50-D3-*	60	M 8	50	-	2.5	11	4.5	48	-	17	8	85
GN 41-60-M8-63-D0-*	60	M 8	63	-	2.5	11	-	48	-	17	8	82
GN 41-60-M8-63-B0-*	60	M 8	63	6.6	2.5	11	-	48	-	17	8	82
GN 41-60-M8-63-D1-*	60	M 8	63	-	2.5	11	-	48	2	17	8	90
GN 41-60-M8-63-D3-*	60	M 8	63	-	2.5	11	4.5	48	-	17	8	89
GN 41-60-M10-50-D0-*	60	M 10	50	-	2.5	11	-	48	-	17	14	107
GN 41-60-M10-50-B0-*	60	M 10	50	6.6	2.5	11	-	48	-	17	14	107
GN 41-60-M10-50-D1-*	60	M 10	50	-	2.5	11	-	48	2	17	14	115
GN 41-60-M10-50-D3-*	60	M 10	50	-	2.5	11	4.5	48	-	17	14	114
GN 41-60-M10-60-D0-*	60	M 10	60	-	2.5	11	-	48	-	17	14	111
GN 41-60-M10-60-B0-*	60	M 10	60	6.6	2.5	11	-	48	-	17	14	111
GN 41-60-M10-60-D1-*	60	M 10	60	-	2.5	11	-	48	2	17	14	119
GN 41-60-M10-60-D3-*	60	M 10	60	-	2.5	11	4.5	48	-	17	14	118
GN 41-60-M10-80-D0-*	60	M 10	80	-	2.5	11	-	48	-	17	14	121
GN 41-60-M10-80-B0-*	60	M 10	80	6.6	2.5	11	-	48	-	17	14	121
GN 41-60-M10-80-D1-*	60	M 10	80	-	2.5	11	-	48	2	17	14	129
GN 41-60-M10-80-D3-*	60	M 10	80	-	2.5	11	4.5	48	-	17	14	128
GN 41-60-M10-100-D0-*	60	M 10	100	-	2.5	11	-	48	-	17	14	132
GN 41-60-M10-100-B0-*	60	M 10	100	6.6	2.5	11	-	48	-	17	14	132
GN 41-60-M10-100-D1-*	60	M 10	100	-	2.5	11	-	48	2	17	14	140
GN 41-60-M10-100-D3-*	60	M 10	100	-	2.5	11	4.5	48	-	17	14	139
GN 41-60-M12-60-D0-*	60	M 12	60	-	2.5	11	-	48	-	17	16	125
GN 41-60-M12-60-B0-*	60	M 12	60	6.6	2.5	11	-	48	-	17	16	125
GN 41-60-M12-60-D1-*	60	M 12	60	-	2.5	11	-	48	2	17	16	133
GN 41-60-M12-60-D3-*	60	M 12	60	-	2.5	11	4.5	48	-	17	16	132
GN 41-60-M12-80-D0-*	60	M 12	80	-	2.5	11	-	48	-	17	16	139
GN 41-60-M12-80-B0-*	60	M 12	80	6.6	2.5	11	-	48	-	17	16	139
GN 41-60-M12-80-D1-*	60	M 12	80	-	2.5	11	-	48	2	17	16	147
GN 41-60-M12-80-D3-*	60	M 12	80	-	2.5	11	4.5	48	-	17	16	146
GN 41-60-M12-100-D0-*	60	M 12	100	-	2.5	11	-	48	-	17	16	154
GN 41-60-M12-100-B0-*	60	M 12	100	6.6	2.5	11	-	48	-	17	16	154
GN 41-60-M12-100-D1-*	60	M 12	100	-	2.5	11	-	48	2	17	16	162
GN 41-60-M12-100-D3-*	60	M 12	100	-	2.5	11	4.5	48	-	17	16	161
GN 41-60-M12-125-D0-*	60	M 12	125	-	2.5	11	-	48	-	17	16	171
GN 41-60-M12-125-B0-*	60	M 12	125	6.6	2.5	11	-	48	-	17	16	171
GN 41-60-M12-125-D1-*	60	M 12	125	-	2.5	11	-	48	2	17	16	179
GN 41-60-M12-125-D3-*	60	M 12	125	-	2.5	11	4.5	48	-	17	16	178
GN 41-80-M8-40-D0-*	80	M 8	40	-	3	12	-	64	-	17	8	137
GN 41-80-M8-40-B0-*	80	M 8	40	8.5	3	12	-	64	-	17	8	138
GN 41-80-M8-40-D1-*	80	M 8	40	-	3	12	-	64	2	17	8	151
GN 41-80-M8-40-D3-*	80	M 8	40	-	3	12	5	64	-	17	8	161
GN 41-80-M8-50-D0-*	80	M 8	50	-	3	12	-	64	-	17	8	141
GN 41-80-M8-50-B0-*	80	M 8	50	8.5	3	12	-	64	-	17	8	142
GN 41-80-M8-50-D1-*	80	M 8	50	-	3	12	-	64	2	17	8	155
GN 41-80-M8-50-D3-*	80	M 8	50	-	3	12	5	64	-	17	8	165

GN 41-S/SK

STAINLESS STEEL

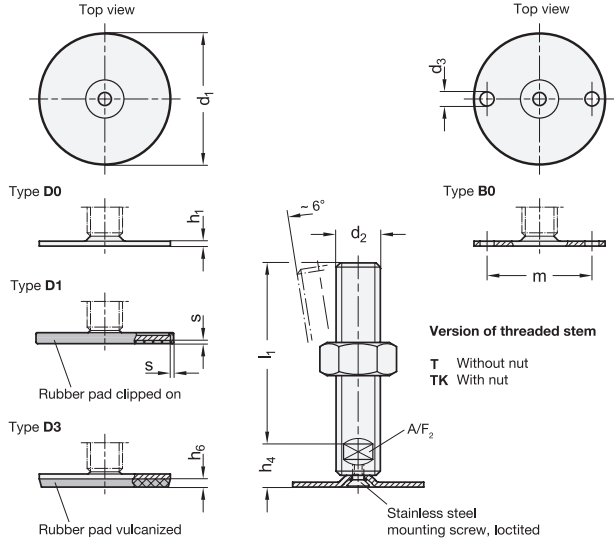
Description	d1	d2	l1	d3	h1	h3	h6	m	s	A/F1	Static load in kN	
GN 41-80-M8-63-D0-*	80	M 8	63	-	3	12	-	64	-	17	8	145
GN 41-80-M8-63-B0-*	80	M 8	63	8.5	3	12	-	64	-	17	8	146
GN 41-80-M8-63-D1-*	80	M 8	63	-	3	12	-	64	2	17	8	159
GN 41-80-M8-63-D3-*	80	M 8	63	-	3	12	5	64	-	17	8	169
GN 41-80-M10-50-D0-*	80	M 10	50	-	3	12	-	64	-	17	14	170
GN 41-80-M10-50-B0-*	80	M 10	50	8.5	3	12	-	64	-	17	14	171
GN 41-80-M10-50-D1-*	80	M 10	50	-	3	12	-	64	2	17	14	184
GN 41-80-M10-50-D3-*	80	M 10	50	-	3	12	5	64	-	17	14	194
GN 41-80-M10-60-D0-*	80	M 10	60	-	3	12	-	64	-	17	14	174
GN 41-80-M10-60-B0-*	80	M 10	60	8.5	3	12	-	64	-	17	14	175
GN 41-80-M10-60-D1-*	80	M 10	60	-	3	12	-	64	2	17	14	188
GN 41-80-M10-60-D3-*	80	M 10	60	-	3	12	5	64	-	17	14	198
GN 41-80-M10-80-D0-*	80	M 10	80	-	3	12	-	64	-	17	14	184
GN 41-80-M10-80-B0-*	80	M 10	80	8.5	3	12	-	64	-	17	14	185
GN 41-80-M10-80-D1-*	80	M 10	80	-	3	12	-	64	2	17	14	198
GN 41-80-M10-80-D3-*	80	M 10	80	-	3	12	5	64	-	17	14	208
GN 41-80-M10-100-D0-*	80	M 10	100	-	3	12	-	64	-	17	14	195
GN 41-80-M10-100-B0-*	80	M 10	100	8.5	3	12	-	64	-	17	14	196
GN 41-80-M10-100-D1-*	80	M 10	100	-	3	12	-	64	2	17	14	209
GN 41-80-M10-100-D3-*	80	M 10	100	-	3	12	5	64	-	17	14	219
GN 41-80-M12-60-D0-*	80	M 12	60	-	3	12	-	64	-	17	20	188
GN 41-80-M12-60-B0-*	80	M 12	60	8.5	3	12	-	64	-	17	20	189
GN 41-80-M12-60-D1-*	80	M 12	60	-	3	12	-	64	2	17	20	202
GN 41-80-M12-60-D3-*	80	M 12	60	-	3	12	5	64	-	17	20	212
GN 41-80-M12-80-D0-*	80	M 12	80	-	3	12	-	64	-	17	20	202
GN 41-80-M12-80-B0-*	80	M 12	80	8.5	3	12	-	64	-	17	20	203
GN 41-80-M12-80-D1-*	80	M 12	80	-	3	12	-	64	2	17	20	216
GN 41-80-M12-80-D3-*	80	M 12	80	-	3	12	5	64	-	17	20	226
GN 41-80-M12-100-D0-*	80	M 12	100	-	3	12	-	64	-	17	20	217
GN 41-80-M12-100-B0-*	80	M 12	100	8.5	3	12	-	64	-	17	20	218
GN 41-80-M12-100-D1-*	80	M 12	100	-	3	12	-	64	2	17	20	231
GN 41-80-M12-100-D3-*	80	M 12	100	-	3	12	5	64	-	17	20	241
GN 41-80-M12-125-D0-*	80	M 12	125	-	3	12	-	64	-	17	20	234
GN 41-80-M12-125-B0-*	80	M 12	125	8.5	3	12	-	64	-	17	20	235
GN 41-80-M12-125-D1-*	80	M 12	125	-	3	12	-	64	2	17	20	248
GN 41-80-M12-125-D3-*	80	M 12	125	-	3	12	5	64	-	17	20	258

Weight Version S





Leveling elements 11



* Complete with version of the Leveling feet (Wrench flat at the bottom)

T without nut
TK with nut

GN 41-T/TK

STAINLESS STEEL

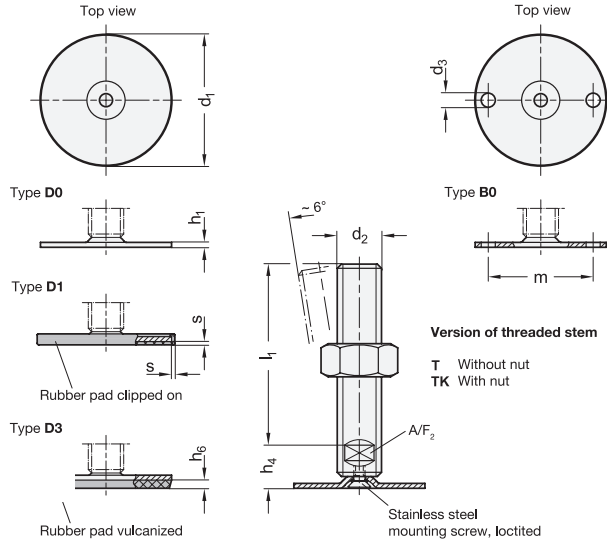
Description	d1	d2	l1	d3	h1	h4	h6	m	s	A/F2	Static load in kN	⚖️
GN 41-40-M16-75-D0-*	40	M16	75	-	2	17	-	30	-	12	12	129
GN 41-40-M16-75-D1-*	40	M16	75	-	2	17	-	30	1.5	12	12	132
GN 41-40-M16-75-D3-*	40	M16	75	-	2	17	3.5	30	-	12	12	141
GN 41-40-M16-100-D0-*	40	M16	100	-	2	17	-	30	-	12	12	162
GN 41-40-M16-100-D1-*	40	M16	100	-	2	17	-	30	1.5	12	12	165
GN 41-40-M16-100-D3-*	40	M16	100	-	2	17	3.5	30	-	12	12	174
GN 41-40-M16-125-D0-*	40	M16	125	-	2	17	-	30	-	12	12	194
GN 41-40-M16-125-D1-*	40	M16	125	-	2	17	-	30	1.5	12	12	197
GN 41-40-M16-125-D3-*	40	M16	125	-	2	17	3.5	30	-	12	12	206
GN 41-40-M16-150-D0-*	40	M16	150	-	2	17	-	30	-	12	12	226
GN 41-40-M16-150-D1-*	40	M16	150	-	2	17	-	30	1.5	12	12	229
GN 41-40-M16-150-D3-*	40	M16	150	-	2	17	3.5	30	-	12	12	238
GN 41-40-M16-200-D0-*	40	M16	200	-	2	17	-	30	-	12	12	569
GN 41-40-M16-200-D1-*	40	M16	200	-	2	17	-	30	1.5	12	12	572
GN 41-40-M16-200-D3-*	40	M16	200	-	2	17	3.5	30	-	12	12	581
GN 41-40-M16-250-D0-*	40	M16	250	-	2	17	-	30	-	12	12	900
GN 41-40-M16-250-D1-*	40	M16	250	-	2	17	-	30	1.5	12	12	903
GN 41-40-M16-250-D3-*	40	M16	250	-	2	17	3.5	30	-	12	12	912
GN 41-50-M16-75-D0-*	50	M16	75	-	2.5	17	-	38	-	12	14	149
GN 41-50-M16-75-B0*	50	M16	75	6.6	2.5	17	-	38	-	12	14	146
GN 41-50-M16-75-D1*	50	M16	75	-	2.5	17	-	38	2	12	14	155
GN 41-50-M16-75-D3*	50	M16	75	-	2.5	17	4	38	-	12	14	150
GN 41-50-M16-100-D0*	50	M16	100	-	2.5	17	-	38	-	12	14	182
GN 41-50-M16-100-B0*	50	M16	100	6.6	2.5	17	-	38	-	12	14	179
GN 41-50-M16-100-D1*	50	M16	100	-	2.5	17	-	38	2	12	14	188
GN 41-50-M16-100-D3*	50	M16	100	-	2.5	17	4	38	-	12	14	183
GN 41-50-M16-125-D0*	50	M16	125	-	2.5	17	-	38	-	12	14	214
GN 41-50-M16-125-B0*	50	M16	125	6.6	2.5	17	-	38	-	12	14	211
GN 41-50-M16-125-D1*	50	M16	125	-	2.5	17	-	38	2	12	14	220
GN 41-50-M16-125-D3*	50	M16	125	-	2.5	17	4	38	-	12	14	215
GN 41-50-M16-150-D0*	50	M16	150	-	2.5	17	-	38	-	12	14	246
GN 41-50-M16-150-B0*	50	M16	150	6.6	2.5	17	-	38	-	12	14	243
GN 41-50-M16-150-D1*	50	M16	150	-	2.5	17	-	38	2	12	14	252
GN 41-50-M16-150-D3*	50	M16	150	-	2.5	17	4	38	-	12	14	247
GN 41-50-M16-200-D0*	50	M16	200	-	2.5	17	-	38	-	12	14	589
GN 41-50-M16-200-B0*	50	M16	200	6.6	2.5	17	-	38	-	12	14	586
GN 41-50-M16-200-D1*	50	M16	200	-	2.5	17	-	38	2	12	14	595
GN 41-50-M16-200-D3*	50	M16	200	-	2.5	17	4	38	-	12	14	322
GN 41-50-M16-250-D0*	50	M16	250	-	2.5	17	-	38	-	12	14	920
GN 41-50-M16-250-B0*	50	M16	250	6.6	2.5	17	-	38	-	12	14	917
GN 41-50-M16-250-D1*	50	M16	250	-	2.5	17	-	38	2	12	14	926
GN 41-50-M16-250-D3*	50	M16	250	-	2.5	17	4	38	-	12	14	653
GN 41-60-M16-75-D0*	60	M16	75	-	2.5	17	-	48	-	12	16	166
GN 41-60-M16-75-B0*	60	M16	75	6.6	2.5	17	-	48	-	12	16	162
GN 41-60-M16-75-D1*	60	M16	75	-	2.5	17	-	48	2	12	16	174
GN 41-60-M16-75-D3*	60	M16	75	-	2.5	17	4.5	48	-	12	16	170
GN 41-60-M16-100-D0*	60	M16	100	-	2.5	17	-	48	-	12	16	199
GN 41-60-M16-100-B0*	60	M16	100	6.6	2.5	17	-	48	-	12	16	195
GN 41-60-M16-100-D1*	60	M16	100	-	2.5	17	-	48	2	12	16	207
GN 41-60-M16-100-D3*	60	M16	100	-	2.5	17	4.5	48	-	12	16	203

GN 41-T/TK

STAINLESS STEEL

Description	d1	d2	l1	d3	h1	h4	h6	m	s	A/F2	Static load in kN	⚖️
GN 41-60-M16-125-D0-*	60	M16	125	-	2.5	17	-	48	-	12	16	231
GN 41-60-M16-125-B0*	60	M16	125	6.6	2.5	17	-	48	-	12	16	227
GN 41-60-M16-125-D1*	60	M16	125	-	2.5	17	-	48	2	12	16	239
GN 41-60-M16-125-D3*	60	M16	125	-	2.5	17	4.5	48	-	12	16	235
GN 41-60-M16-150-D0*	60	M16	150	-	2.5	17	-	48	-	12	16	263
GN 41-60-M16-150-B0*	60	M16	150	6.6	2.5	17	-	48	-	12	16	259
GN 41-60-M16-150-D1*	60	M16	150	-	2.5	17	-	48	2	12	16	271
GN 41-60-M16-150-D3*	60	M16	150	-	2.5	17	4.5	48	-	12	16	267
GN 41-60-M16-200-D0*	60	M16	200	-	2.5	17	-	48	-	12	16	606
GN 41-60-M16-200-B0*	60	M16	200	6.6	2.5	17	-	48	-	12	16	602
GN 41-60-M16-200-D1*	60	M16	200	-	2.5	17	-	48	2	12	16	614
GN 41-60-M16-200-D3*	60	M16	200	-	2.5	17	4.5	48	-	12	16	610
GN 41-60-M16-250-D0*	60	M16	250	-	2.5	17	-	48	-	12	16	937
GN 41-60-M16-250-B0*	60	M16	250	6.6	2.5	17	-	48	-	12	16	933
GN 41-60-M16-250-D1*	60	M16	250	-	2.5	17	-	48	2	12	16	945
GN 41-60-M16-250-D3*	60	M16	250	-	2.5	17	4.5	48	-	12	16	941
GN 41-80-M16-75-D0*	80	M16	75	-	3	18	-	64	-	12	20	226
GN 41-80-M16-75-B0*	80	M16	75	8.5	3	18	-	64	-	12	20	227
GN 41-80-M16-75-D1*	80	M16	75	-	3	18	-	64	2	12	20	240
GN 41-80-M16-75-D3*	80	M16	75	-	3	18	5	64	-	12	20	250
GN 41-80-M16-100-D0*	80	M16	100	-	3	18	-	64	-	12	20	259
GN 41-80-M16-100-B0*	80	M16	100	8.5	3	18	-	64	-	12	20	260
GN 41-80-M16-100-D1*	80	M16	100	-	3	18	-	64	2	12	20	273
GN 41-80-M16-100-D3*	80	M16	100	-	3	18	5	64	-	12	20	283
GN 41-80-M16-125-D0*	80	M16	125	-	3	18	-	64	-	12	20	291
GN 41-80-M16-125-B0*	80	M16	125	8.5	3	18	-	64	-	12	20	292
GN 41-80-M16-125-D1*	80	M16	125	-	3	18	-	64	2	12	20	305
GN 41-80-M16-125-D3*	80	M16	125	-	3	18	5	64	-	12	20	315
GN 41-80-M16-150-D0*	80	M16	150	-	3	18	-	64	-	12	20	323
GN 41-80-M16-150-B0*	80	M16	150	8.5	3	18	-	64	-	12	20	324
GN 41-80-M16-150-D1*	80	M16	150	-	3	18	-	64	2	12	20	337
GN 41-80-M16-150-D3*	80	M16	150	-	3	18	5	64	-	12	20	347
GN 41-80-M16-200-D0*	80	M16	200	-	3	18	-	64	-	12	20	666
GN 41-80-M16-200-B0*	80	M16	200	8.5	3	18	-	64	-	12	20	667
GN 41-80-M16-200-D1*	80	M16	200	-	3	18	-	64	2	12	20	680
GN 41-80-M16-200-D3*	80	M16	200	-	3	18	5	64	-	12	20	690
GN 41-80-M16-250-D0*	80	M16	250	-	3	18	-	64	-	12	20	997
GN 41-80-M16-250-B0*	80	M16	250	8.5	3	18	-	64	-	12	20	998
GN 41-80-M16-250-D1*	80	M16	250	-	3	18	-	64	2	12	20	1011
GN 41-80-M16-250-D3*	80	M16	250	-	3	18	5	64	-	12	20	1021

Weight Version T



* Complete with version of the Leveling feet (Wrench flat at the bottom)

T without nut
TK with nut

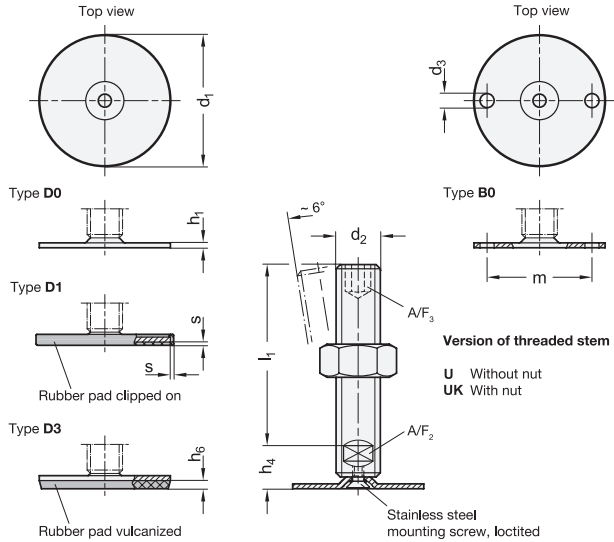
GN 41-T/TK

STAINLESS STEEL

Description	d1	d2	l1	d3	h1	h4	h6	m	s	A/F ₂	Static load in kN	⚖️
GN 41-80-M20-75-D0-*	80	M20	75	-	3	19	-	64	-	15	20	281
GN 41-80-M20-75-B0-*	80	M20	75	8.5	3	19	-	64	-	15	20	281
GN 41-80-M20-75-D1-*	80	M20	75	-	3	19	-	64	2	15	20	295
GN 41-80-M20-75-D3-*	80	M20	75	-	3	19	5	64	-	15	20	305
GN 41-80-M20-100-D0-*	80	M20	100	-	3	19	-	64	-	15	20	340
GN 41-80-M20-100-B0-*	80	M20	100	8.5	3	19	-	64	-	15	20	340
GN 41-80-M20-100-D1-*	80	M20	100	-	3	19	-	64	2	15	20	354
GN 41-80-M20-100-D3-*	80	M20	100	-	3	19	5	64	-	15	20	364
GN 41-80-M20-125-D0-*	80	M20	125	-	3	19	-	64	-	15	20	390
GN 41-80-M20-125-B0-*	80	M20	125	8.5	3	19	-	64	-	15	20	390
GN 41-80-M20-125-D1-*	80	M20	125	-	3	19	-	64	2	15	20	404
GN 41-80-M20-125-D3-*	80	M20	125	-	3	19	5	64	-	15	20	414
GN 41-80-M20-150-D0-*	80	M20	150	-	3	19	-	64	-	15	20	441
GN 41-80-M20-150-B0-*	80	M20	150	8.5	3	19	-	64	-	15	20	441
GN 41-80-M20-150-D1-*	80	M20	150	-	3	19	-	64	2	15	20	455
GN 41-80-M20-150-D3-*	80	M20	150	-	3	19	5	64	-	15	20	465
GN 41-80-M20-200-D0-*	80	M20	200	-	3	19	-	64	-	15	20	541
GN 41-80-M20-200-B0-*	80	M20	200	8.5	3	19	-	64	-	15	20	541
GN 41-80-M20-200-D1-*	80	M20	200	-	3	19	-	64	2	15	20	555
GN 41-80-M20-200-D3-*	80	M20	200	-	3	19	5	64	-	15	20	565
GN 41-80-M20-250-D0-*	80	M20	250	-	3	19	-	64	-	15	20	1063
GN 41-80-M20-250-B0-*	80	M20	250	8.5	3	19	-	64	-	15	20	1062
GN 41-80-M20-250-D1-*	80	M20	250	-	3	19	-	64	2	15	20	1077
GN 41-80-M20-250-D3-*	80	M20	250	-	3	19	5	64	-	15	20	1087
GN 41-80-M24-100-D0-*	80	M24	100	-	3	22	-	64	-	19	22	447
GN 41-80-M24-100-B0-*	80	M24	100	8.5	3	22	-	64	-	19	22	448
GN 41-80-M24-100-D1-*	80	M24	100	-	3	22	-	64	2	19	22	461
GN 41-80-M24-100-D3-*	80	M24	100	-	3	22	5	64	-	19	22	474
GN 41-80-M24-125-D0-*	80	M24	125	-	3	22	-	64	-	19	22	527
GN 41-80-M24-125-B0-*	80	M24	125	8.5	3	22	-	64	-	19	22	528
GN 41-80-M24-125-D1-*	80	M24	125	-	3	22	-	64	2	19	22	541
GN 41-80-M24-125-D3-*	80	M24	125	-	3	22	5	64	-	19	22	554
GN 41-80-M24-150-D0-*	80	M24	150	-	3	22	-	64	-	19	22	593
GN 41-80-M24-150-B0-*	80	M24	150	8.5	3	22	-	64	-	19	22	594
GN 41-80-M24-150-D1-*	80	M24	150	-	3	22	-	64	2	19	22	607
GN 41-80-M24-150-D3-*	80	M24	150	-	3	22	5	64	-	19	22	620
GN 41-80-M24-200-D0-*	80	M24	200	-	3	22	-	64	-	19	22	739
GN 41-80-M24-200-B0-*	80	M24	200	8.5	3	22	-	64	-	19	22	740
GN 41-80-M24-200-D1-*	80	M24	200	-	3	22	-	64	2	19	22	753
GN 41-80-M24-200-D3-*	80	M24	200	-	3	22	5	64	-	19	22	766
GN 41-80-M24-300-D0-*	80	M24	300	-	3	22	-	64	-	19	22	1909
GN 41-80-M24-300-B0-*	80	M24	300	8.5	3	22	-	64	-	19	22	1910
GN 41-80-M24-300-D1-*	80	M24	300	-	3	22	-	64	2	19	22	1923
GN 41-80-M24-300-D3-*	80	M24	300	-	3	22	5	64	-	19	22	1936

Weight Version T





* Complete with version of the Leveling feet (Hex socket at the top / Wrench at the bottom)

U without nut
UK with nut

GN 41-U/UK

STAINLESS STEEL

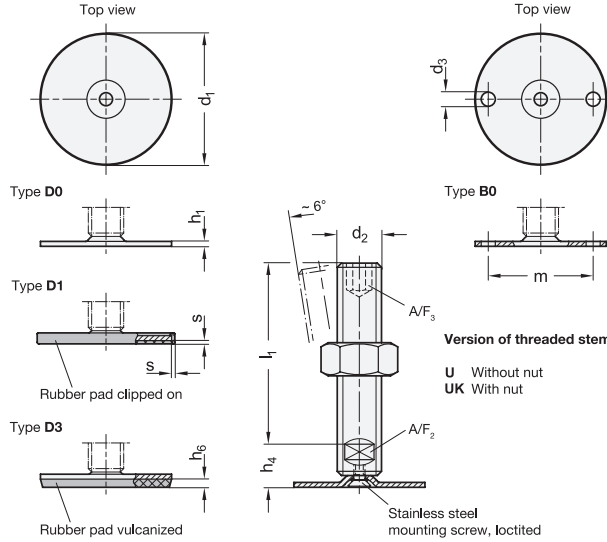
Description	d1	d2	l1	d3	h1	h4	h6	m	s	A/F 2	A/F 3	Static load in kN	
GN 41-40-M16-75-D0-*	40	M16	75	-	2	17	-	30	-	12	8	12	124
GN 41-40-M16-75-D1-*	40	M16	75	-	2	17	-	30	1.5	12	8	12	127
GN 41-40-M16-75-D3-*	40	M16	75	-	2	17	3.5	30	-	12	8	12	136
GN 41-40-M16-100-D0-*	40	M16	100	-	2	17	-	30	-	12	8	12	156
GN 41-40-M16-100-D1-*	40	M16	100	-	2	17	-	30	1.5	12	8	12	159
GN 41-40-M16-100-D3-*	40	M16	100	-	2	17	3.5	30	-	12	8	12	168
GN 41-40-M16-125-D0-*	40	M16	125	-	2	17	-	30	-	12	8	12	163
GN 41-40-M16-125-D1-*	40	M16	125	-	2	17	-	30	1.5	12	8	12	166
GN 41-40-M16-125-D3-*	40	M16	125	-	2	17	3.5	30	-	12	8	12	175
GN 41-40-M16-150-D0-*	40	M16	150	-	2	17	-	30	-	12	8	12	221
GN 41-40-M16-150-D1-*	40	M16	150	-	2	17	-	30	1.5	12	8	12	224
GN 41-40-M16-150-D3-*	40	M16	150	-	2	17	3.5	30	-	12	8	12	233
GN 41-40-M16-200-D0-*	40	M16	200	-	2	17	-	30	-	12	8	12	287
GN 41-40-M16-200-D1-*	40	M16	200	-	2	17	-	30	1.5	12	8	12	290
GN 41-40-M16-200-D3-*	40	M16	200	-	2	17	3.5	30	-	12	8	12	299
GN 41-40-M16-250-D0-*	40	M16	250	-	2	17	-	30	-	12	8	12	616
GN 41-40-M16-250-D1-*	40	M16	250	-	2	17	-	30	1.5	12	8	12	619
GN 41-40-M16-250-D3-*	40	M16	250	-	2	17	3.5	30	-	12	8	12	628
GN 41-50-M16-75-D0-*	50	M16	75	-	2.5	17	-	38	-	12	8	14	144
GN 41-50-M16-75-D1-*	50	M16	75	6.6	2.5	17	-	38	-	12	8	14	141
GN 41-50-M16-75-D3-*	50	M16	75	-	2.5	17	-	38	2	12	8	14	150
GN 41-50-M16-100-D0-*	50	M16	100	-	2.5	17	-	38	-	12	8	14	145
GN 41-50-M16-100-D1-*	50	M16	100	-	2.5	17	-	38	-	12	8	14	176
GN 41-50-M16-100-D3-*	50	M16	100	6.6	2.5	17	-	38	-	12	8	14	173
GN 41-50-M16-125-D0-*	50	M16	125	-	2.5	17	-	38	-	12	8	14	182
GN 41-50-M16-125-D1-*	50	M16	125	-	2.5	17	-	38	-	12	8	14	177
GN 41-50-M16-125-D3-*	50	M16	125	-	2.5	17	-	38	-	12	8	14	183
GN 41-50-M16-150-D0-*	50	M16	150	-	2.5	17	-	38	-	12	8	14	180
GN 41-50-M16-150-D1-*	50	M16	150	-	2.5	17	-	38	-	12	8	14	189
GN 41-50-M16-150-D3-*	50	M16	150	-	2.5	17	-	38	-	12	8	14	184
GN 41-50-M16-200-D0-*	50	M16	200	-	2.5	17	-	38	-	12	8	14	241
GN 41-50-M16-200-D1-*	50	M16	200	-	2.5	17	-	38	-	12	8	14	238
GN 41-50-M16-200-D3-*	50	M16	200	6.6	2.5	17	-	38	-	12	8	14	247
GN 41-50-M16-250-D0-*	50	M16	250	-	2.5	17	-	38	-	12	8	14	242
GN 41-50-M16-250-D1-*	50	M16	250	-	2.5	17	-	38	-	12	8	14	307
GN 41-50-M16-250-D3-*	50	M16	250	6.6	2.5	17	-	38	-	12	8	14	304
GN 41-50-M16-200-D1-*	50	M16	200	-	2.5	17	-	38	-	12	8	14	313
GN 41-50-M16-200-D3-*	50	M16	200	-	2.5	17	-	38	-	12	8	14	308
GN 41-50-M16-250-D0-*	50	M16	250	-	2.5	17	-	38	-	12	8	14	636
GN 41-50-M16-250-D1-*	50	M16	250	6.6	2.5	17	-	38	-	12	8	14	633
GN 41-50-M16-250-D3-*	50	M16	250	-	2.5	17	-	38	-	12	8	14	642
GN 41-60-M16-75-D0-*	60	M16	75	-	2.5	17	-	48	-	12	8	16	161
GN 41-60-M16-75-D1-*	60	M16	75	6.6	2.5	17	-	48	-	12	8	16	157
GN 41-60-M16-75-D3-*	60	M16	75	-	2.5	17	-	48	2	12	8	16	169
GN 41-60-M16-100-D0-*	60	M16	100	-	2.5	17	-	48	-	12	8	16	165
GN 41-60-M16-100-D1-*	60	M16	100	-	2.5	17	-	48	-	12	8	16	193
GN 41-60-M16-100-D3-*	60	M16	100	6.6	2.5	17	-	48	-	12	8	16	189
GN 41-60-M16-150-D0-*	60	M16	150	-	2.5	17	-	48	-	12	8	16	201
GN 41-60-M16-150-D1-*	60	M16	150	-	2.5	17	-	48	-	12	8	16	201
GN 41-60-M16-150-D3-*	60	M16	150	-	2.5	17	-	48	-	12	8	16	197

GN 41-U/UK

STAINLESS STEEL

Description	d1	d2	l1	d3	h1	h4	h6	m	s	A/F 2	A/F 3	Static load in kN	
GN 41-60-M16-125-D0-*	60	M16	125	-	2.5	17	-	48	-	12	8	16	200
GN 41-60-M16-125-B0-*	60	M16	125	6.6	2.5	17	-	48	-	12	8	16	196
GN 41-60-M16-125-D1-*	60	M16	125	-	2.5	17	-	48	2	12	8	16	208
GN 41-60-M16-125-D3-*	60	M16	125	-	2.5	17	4.5	48	-	12	8	16	204
GN 41-60-M16-150-D0-*	60	M16	150	-	2.5	17	-	48	-	12	8	16	258
GN 41-60-M16-150-B0-*	60	M16	150	6.6	2.5	17	-	48	-	12	8	16	254
GN 41-60-M16-150-D1-*	60	M16	150	-	2.5	17	-	48	2	12	8	16	266
GN 41-60-M16-150-D3-*	60	M16	150	-	2.5	17	4.5	48	-	12	8	16	262
GN 41-60-M16-200-D0-*	60	M16	200	-	2.5	17	-	48	-	12	8	16	324
GN 41-60-M16-200-B0-*	60	M16	200	6.6	2.5	17	-	48	-	12	8	16	320
GN 41-60-M16-200-D1-*	60	M16	200	-	2.5	17	-	48	2	12	8	16	332
GN 41-60-M16-200-D3-*	60	M16	200	-	2.5	17	4.5	48	-	12	8	16	328
GN 41-60-M16-250-D0-*	60	M16	250	-	2.5	17	-	48	-	12	8	16	653
GN 41-60-M16-250-B0-*	60	M16	250	6.6	2.5	17	-	48	-	12	8	16	649
GN 41-60-M16-250-D1-*	60	M16	250	-	2.5	17	-	48	2	12	8	16	661
GN 41-60-M16-250-D3-*	60	M16	250	-	2.5	17	4.5	48	-	12	8	16	657
GN 41-80-M16-75-D0-*	80	M16	75	-	3	18	-	64	-	12	8	20	221
GN 41-80-M16-75-B0-*	80	M16	75	8.5	3	18	-	64	-	12	8	20	222
GN 41-80-M16-75-D1-*	80	M16	75	-	3	18	-	64	2	12	8	20	235
GN 41-80-M16-75-D3-*	80	M16	75	-	3	18	5	64	-	12	8	20	245
GN 41-80-M16-100-D0-*	80	M16	100	-	3	18	-	64	-	12	8	20	253
GN 41-80-M16-100-B0-*	80	M16	100	8.5	3	18	-	64	-	12	8	20	254
GN 41-80-M16-100-D1-*	80	M16	100	-	3	18	-	64	2	12	8	20	267
GN 41-80-M16-100-D3-*	80	M16	100	-	3	18	5	64	-	12	8	20	277
GN 41-80-M16-125-D0-*	80	M16	125	-	3	18	-	64	-	12	8	20	260
GN 41-80-M16-125-B0-*	80	M16	125	8.5	3	18	-	64	-	12	8	20	261
GN 41-80-M16-125-D1-*	80	M16	125	-	3	18	-	64	2	12	8	20	274
GN 41-80-M16-125-D3-*	80	M16	125	-	3	18	5	64	-	12	8	20	284
GN 41-80-M16-150-D0-*	80	M16	150	-	3	18	-	64	-	12	8	20	318
GN 41-80-M16-150-B0-*	80	M16	150	8.5	3	18	-	64	-	12	8	20	319
GN 41-80-M16-150-D1-*	80	M16	150	-	3	18	-	64	2	12	8	20	332
GN 41-80-M16-150-D3-*	80	M16	150	-	3	18	5	64	-	12	8	20	342
GN 41-80-M16-200-D0-*	80	M16	200	-	3	18	-	64	-	12	8	20	384
GN 41-80-M16-200-B0-*	80	M16	200	8.5	3	18	-	64	-	12	8	20	385
GN 41-80-M16-200-D1-*	80	M16	200	-	3	18	-	64	2	12	8	20	398
GN 41-80-M16-200-D3-*	80	M16	200	-	3	18	5	64	-	12	8	20	408
GN 41-80-M16-250-D0-*	80	M16	250	-	3	18	-	64	-	12	8	20	714
GN 41-80-M16-250-B0-*	80	M16	250	8.5	3	18	-	64	-	12	8	20	715
GN 41-80-M16-250-D1-*	80	M16	250	-	3	18	-	64	2	12	8	20	728
GN 41-80-M16-250-D3-*	80	M16	250	-	3	18	5	64	-	12	8	20	738

Weight Version U



* Complete with version of the Leveling feet (Hex socket at the top / Wrench at the bottom)

U without nut
UK with nut

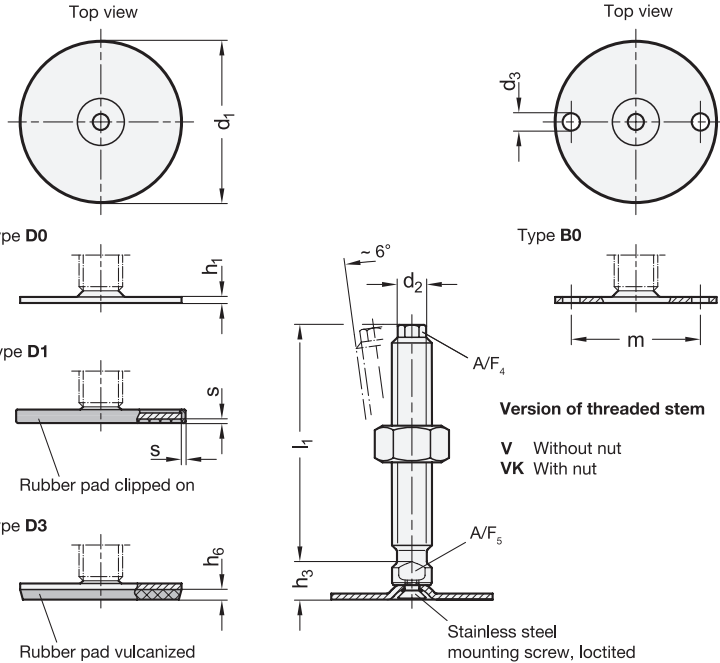
GN 41-U/UK

STAINLESS STEEL

Description	d1	d2	l1	d3	h1	h4	h6	m	s	A/F2	A/F3	Static load in kN	⚖️
GN 41-80-M20-75-D0-*	80	M 20	75	-	3	19	-	64	-	15	10	20	281
GN 41-80-M20-75-B0-*	80	M 20	75	8.5	3	19	-	64	-	15	10	20	281
GN 41-80-M20-75-D1-*	80	M 20	75	-	3	19	-	64	2	15	10	20	295
GN 41-80-M20-75-D3-*	80	M 20	75	-	3	19	5	64	-	15	10	20	305
GN 41-80-M20-100-D0-*	80	M 20	100	-	3	19	-	64	-	15	10	20	519
GN 41-80-M20-100-B0-*	80	M 20	100	8.5	3	19	-	64	-	15	10	20	519
GN 41-80-M20-100-D1-*	80	M 20	100	-	3	19	-	64	2	15	10	20	533
GN 41-80-M20-100-D3-*	80	M 20	100	-	3	19	5	64	-	15	10	20	543
GN 41-80-M20-125-D0-*	80	M 20	125	-	3	19	-	64	-	15	10	20	382
GN 41-80-M20-125-B0-*	80	M 20	125	8.5	3	19	-	64	-	15	10	20	382
GN 41-80-M20-125-D1-*	80	M 20	125	-	3	19	-	64	2	15	10	20	396
GN 41-80-M20-125-D3-*	80	M 20	125	-	3	19	5	64	-	15	10	20	406
GN 41-80-M20-150-D0-*	80	M 20	150	-	3	19	-	64	-	15	10	20	440
GN 41-80-M20-150-B0-*	80	M 20	150	8.5	3	19	-	64	-	15	10	20	440
GN 41-80-M20-150-D1-*	80	M 20	150	-	3	19	-	64	2	15	10	20	454
GN 41-80-M20-150-D3-*	80	M 20	150	-	3	19	5	64	-	15	10	20	464
GN 41-80-M20-200-D0-*	80	M 20	200	-	3	19	-	64	-	15	10	20	535
GN 41-80-M20-200-B0-*	80	M 20	200	8.5	3	19	-	64	-	15	10	20	535
GN 41-80-M20-200-D1-*	80	M 20	200	-	3	19	-	64	2	15	10	20	549
GN 41-80-M20-200-D3-*	80	M 20	200	-	3	19	5	64	-	15	10	20	559
GN 41-80-M20-250-D0-*	80	M 20	250	-	3	19	-	64	-	15	10	20	1058
GN 41-80-M20-250-B0-*	80	M 20	250	8.5	3	19	-	64	-	15	10	20	1058
GN 41-80-M20-250-D1-*	80	M 20	250	-	3	19	-	64	2	15	10	20	1072
GN 41-80-M20-250-D3-*	80	M 20	250	-	3	19	5	64	-	15	10	20	1082
GN 41-80-M24-100-D0-*	80	M 24	100	-	3	22	-	64	-	19	12	22	510
GN 41-80-M24-100-B0-*	80	M 24	100	8.5	3	22	-	64	-	19	12	22	511
GN 41-80-M24-100-D1-*	80	M 24	100	-	3	22	-	64	2	19	12	22	524
GN 41-80-M24-100-D3-*	80	M 24	100	-	3	22	5	64	-	19	12	22	537
GN 41-80-M24-125-D0-*	80	M 24	125	-	3	22	-	64	-	19	12	22	502
GN 41-80-M24-125-B0-*	80	M 24	125	8.5	3	22	-	64	-	19	12	22	503
GN 41-80-M24-125-D1-*	80	M 24	125	-	3	22	-	64	2	19	12	22	516
GN 41-80-M24-125-D3-*	80	M 24	125	-	3	22	5	64	-	19	12	22	529
GN 41-80-M24-150-D0-*	80	M 24	150	-	3	22	-	64	-	19	12	22	583
GN 41-80-M24-150-B0-*	80	M 24	150	8.5	3	22	-	64	-	19	12	22	584
GN 41-80-M24-150-D1-*	80	M 24	150	-	3	22	-	64	2	19	12	22	597
GN 41-80-M24-150-D3-*	80	M 24	150	-	3	22	5	64	-	19	12	22	610
GN 41-80-M24-200-D0-*	80	M 24	200	-	3	22	-	64	-	19	12	22	719
GN 41-80-M24-200-B0-*	80	M 24	200	8.5	3	22	-	64	-	19	12	22	720
GN 41-80-M24-200-D1-*	80	M 24	200	-	3	22	-	64	2	19	12	22	733
GN 41-80-M24-200-D3-*	80	M 24	200	-	3	22	5	64	-	19	12	22	746
GN 41-80-M24-300-D0-*	80	M 24	300	-	3	22	-	64	-	19	12	22	1528
GN 41-80-M24-300-B0-*	80	M 24	300	8.5	3	22	-	64	-	19	12	22	1529
GN 41-80-M24-300-D1-*	80	M 24	300	-	3	22	-	64	2	19	12	22	1542
GN 41-80-M24-300-D3-*	80	M 24	300	-	3	22	5	64	-	19	12	22	1555

Weight Version U





* Complete with version of Leveling feet
(External hex socket on the top / Wrench flat at the bottom)

V without nut
VK with nut

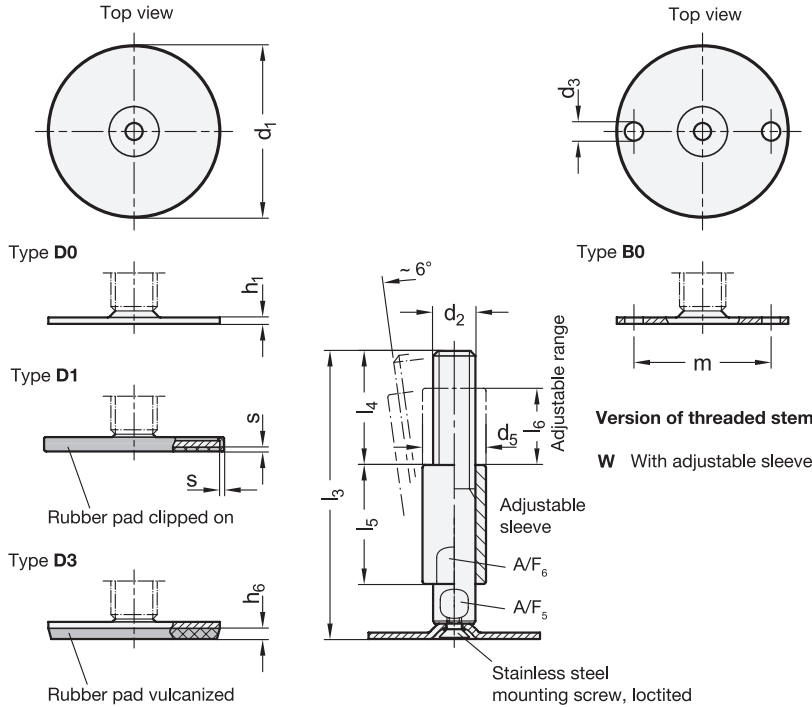
GN 41-V/VK STAINLESS STEEL

Description	d1	d2	l2 +4	d3	h1	h5	h6	m	s	A/F 4	A/F 5	Static load in kN	⚖️
GN 41-60-M16-75-D0-*	60	M16	75	-	2.5	14	-	48	-	10	12	16	157
GN 41-60-M16-75-B0-*	60	M16	75	6.6	2.5	14	-	48	-	10	12	16	153
GN 41-60-M16-75-D1-*	60	M16	75	-	2.5	14	-	48	2	10	12	16	165
GN 41-60-M16-75-D3-*	60	M16	75	-	2.5	14	4.5	48	-	10	12	16	161
GN 41-60-M16-100-D0-*	60	M16	100	-	2.5	14	-	48	-	10	12	16	191
GN 41-60-M16-100-B0-*	60	M16	100	6.6	2.5	14	-	48	-	10	12	16	187
GN 41-60-M16-100-D1-*	60	M16	100	-	2.5	14	-	48	2	10	12	16	199
GN 41-60-M16-100-D3-*	60	M16	100	-	2.5	14	4.5	48	-	10	12	16	195
GN 41-60-M16-125-D0-*	60	M16	125	-	2.5	14	-	48	-	10	12	16	223
GN 41-60-M16-125-B0-*	60	M16	125	6.6	2.5	14	-	48	-	10	12	16	219
GN 41-60-M16-125-D1-*	60	M16	125	-	2.5	14	-	48	2	10	12	16	231
GN 41-60-M16-125-D3-*	60	M16	125	-	2.5	14	4.5	48	-	10	12	16	227
GN 41-60-M16-150-D0-*	60	M16	150	-	2.5	14	-	48	-	10	12	16	256
GN 41-60-M16-150-B0-*	60	M16	150	6.6	2.5	14	-	48	-	10	12	16	252
GN 41-60-M16-150-D1-*	60	M16	150	-	2.5	14	-	48	2	10	12	16	264
GN 41-60-M16-150-D3-*	60	M16	150	-	2.5	14	4.5	48	-	10	12	16	260
GN 41-80-M16-75-D0-*	80	M16	75	-	3	15	-	64	-	10	12	20	217
GN 41-80-M16-75-B0-*	80	M16	75	8.5	3	15	-	64	-	10	12	20	218
GN 41-80-M16-75-D1-*	80	M16	75	-	3	15	-	64	2	10	12	20	231
GN 41-80-M16-75-D3-*	80	M16	75	-	3	15	5	64	-	10	12	20	241
GN 41-80-M16-100-D0-*	80	M16	100	-	3	15	-	64	-	10	12	20	251
GN 41-80-M16-100-B0-*	80	M16	100	8.5	3	15	-	64	-	10	12	20	252
GN 41-80-M16-100-D1-*	80	M16	100	-	3	15	-	64	2	10	12	20	265
GN 41-80-M16-100-D3-*	80	M16	100	-	3	15	5	64	-	10	12	20	275
GN 41-80-M16-125-D0-*	80	M16	125	-	3	15	-	64	-	10	12	20	283
GN 41-80-M16-125-B0-*	80	M16	125	8.5	3	15	-	64	-	10	12	20	284
GN 41-80-M16-125-D1-*	80	M16	125	-	3	15	-	64	2	10	12	20	297
GN 41-80-M16-125-D3-*	80	M16	125	-	3	15	5	64	-	10	12	20	307
GN 41-80-M16-150-D0-*	80	M16	150	-	3	15	-	64	-	10	12	20	316
GN 41-80-M16-150-B0-*	80	M16	150	8.5	3	15	-	64	-	10	12	20	317
GN 41-80-M16-150-D1-*	80	M16	150	-	3	15	-	64	2	10	12	20	330
GN 41-80-M16-150-D3-*	80	M16	150	-	3	15	5	64	-	10	12	20	340
GN 41-80-M20-100-D0-*	80	M20	100	-	3	15	-	64	-	13	16	20	331
GN 41-80-M20-100-B0-*	80	M20	100	8.5	3	15	-	64	-	13	16	20	331
GN 41-80-M20-100-D1-*	80	M20	100	-	3	15	-	64	2	13	16	20	345
GN 41-80-M20-100-D3-*	80	M20	100	-	3	15	5	64	-	13	16	20	355

GN 41-V/VK STAINLESS STEEL

Description	d1	d2	l2 +4	d3	h1	h5	h6	m	s	A/F 4	A/F 5	Static load in kN	⚖️
GN 41-80-M20-125-D0-*	80	M20	125	-	3	15	-	64	-	13	16	20	382
GN 41-80-M20-125-B0-*	80	M20	125	8.5	3	15	-	64	-	13	16	20	382
GN 41-80-M20-125-D1-*	80	M20	125	-	3	15	-	64	2	13	16	20	396
GN 41-80-M20-125-D3-*	80	M20	125	-	3	15	5	64	-	13	16	20	406
GN 41-80-M20-150-D0-*	80	M20	150	-	3	15	-	64	-	13	16	20	434
GN 41-80-M20-150-B0-*	80	M20	150	8.5	3	15	-	64	-	13	16	20	434
GN 41-80-M20-150-D1-*	80	M20	150	-	3	15	-	64	2	13	16	20	448
GN 41-80-M20-150-D3-*	80	M20	150	-	3	15	5	64	-	13	16	20	458
GN 41-80-M20-200-D0-*	80	M20	200	-	3	15	-	64	-	13	16	20	539
GN 41-80-M20-200-B0-*	80	M20	200	8.5	3	15	-	64	-	13	16	20	539
GN 41-80-M20-200-D1-*	80	M20	200	-	3	15	-	64	2	13	16	20	553
GN 41-80-M20-200-D3-*	80	M20	200	-	3	15	5	64	-	13	16	20	563
GN 41-80-M24-100-D0-*	80	M24	100	-	3	18	-	64	-	17	20	22	433
GN 41-80-M24-100-B0-*	80	M24	100	8.5	3	18	-	64	-	17	20	22	434
GN 41-80-M24-100-D1-*	80	M24	100	-	3	18	-	64	2	17	20	22	447
GN 41-80-M24-100-D3-*	80	M24	100	-	3	18	5	64	-	17	20	22	460
GN 41-80-M24-150-D0-*	80	M24	150	-	3	18	-	64	-	17	20	22	581
GN 41-80-M24-150-B0-*	80	M24	150	8.5	3	18	-	64	-	17	20	22	582
GN 41-80-M24-150-D1-*	80	M24	150	-	3	18	-	64	2	17	20	22	595
GN 41-80-M24-150-D3-*	80	M24	150	-	3	18	5	64	-	17	20	22	608
GN 41-80-M24-200-D0-*	80	M24	200	-	3	18	-	64	-	17	20	22	727
GN 41-80-M24-200-B0-*	80	M24	200	8.5	3	18	-	64	-	17	20	22	728
GN 41-80-M24-200-D1-*	80	M24	200	-	3	18	-	64	2	17	20	22	741
GN 41-80-M24-200-D3-*	80	M24	200	-	3	18	5	64	-	17	20	22	754

Weight Version V



GN 41-W

STAINLESS STEEL

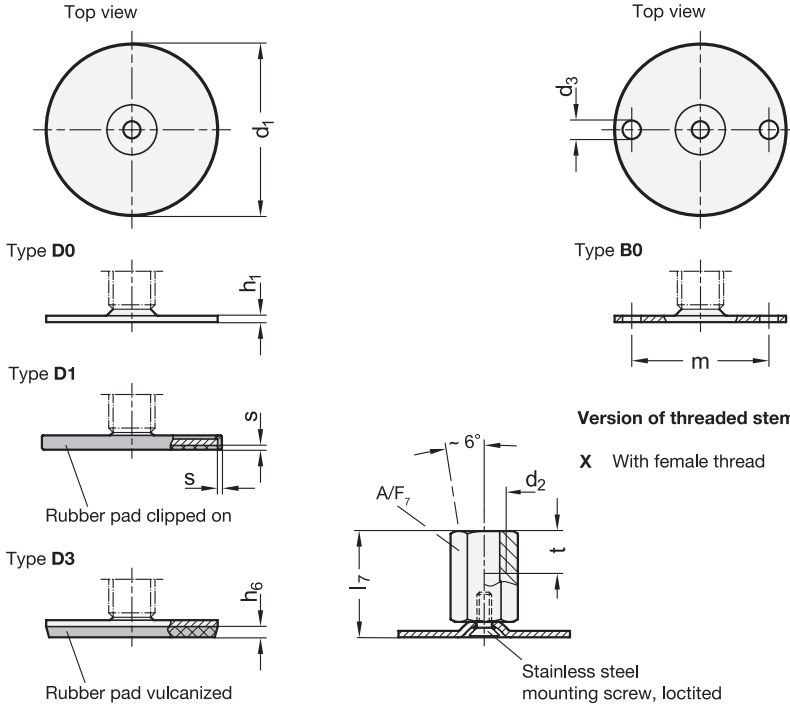
Description	d1	d2	l3 +4	d3	d5	h1	h6	m	s	A/F 5	A/F 6	Static load in kN	
GN 41-60-M16-110-D0-W	60	M 16	110	-	24	2.5	-	48	-	12	20	16	284
GN 41-60-M16-110-B0-W	60	M 16	110	6.6	24	2.5	-	48	-	12	20	16	280
GN 41-60-M16-110-D1-W	60	M 16	110	-	24	2.5	-	48	2	12	20	16	292
GN 41-60-M16-110-D3-W	60	M 16	110	-	24	2.5	4.5	48	-	12	20	16	288
GN 41-60-M16-135-D0-W	60	M 16	135	-	24	2.5	-	48	-	12	20	16	321
GN 41-60-M16-135-B0-W	60	M 16	135	6.6	24	2.5	-	48	-	12	20	16	317
GN 41-60-M16-135-D1-W	60	M 16	135	-	24	2.5	-	48	2	12	20	16	329
GN 41-60-M16-135-D3-W	60	M 16	135	-	24	2.5	4.5	48	-	12	20	16	325
GN 41-60-M16-160-D0-W	60	M 16	160	-	24	2.5	-	48	-	12	20	16	362
GN 41-60-M16-160-B0-W	60	M 16	160	6.6	24	2.5	-	48	-	12	20	16	358
GN 41-60-M16-160-D1-W	60	M 16	160	-	24	2.5	-	48	2	12	20	16	370
GN 41-60-M16-160-D3-W	60	M 16	160	-	24	2.5	4.5	48	-	12	20	16	366
GN 41-60-M16-185-D0-W	60	M 16	185	-	24	2.5	-	48	-	12	20	16	402
GN 41-60-M16-185-B0-W	60	M 16	185	6.6	24	2.5	-	48	-	12	20	16	398
GN 41-60-M16-185-D1-W	60	M 16	185	-	24	2.5	-	48	2	12	20	16	410
GN 41-60-M16-185-D3-W	60	M 16	185	-	24	2.5	4.5	48	-	12	20	16	406
GN 41-80-M16-110-D0-W	80	M 16	110	-	24	3	-	64	-	12	20	20	344
GN 41-80-M16-110-B0-W	80	M 16	110	8.5	24	3	-	64	-	12	20	20	345
GN 41-80-M16-110-D1-W	80	M 16	110	-	24	3	-	64	2	12	20	20	358
GN 41-80-M16-110-D3-W	80	M 16	110	-	24	3	5	64	-	12	20	20	368
GN 41-80-M16-135-D0-W	80	M 16	135	-	24	3	-	64	-	12	20	20	381
GN 41-80-M16-135-B0-W	80	M 16	135	8.5	24	3	-	64	-	12	20	20	382
GN 41-80-M16-135-D1-W	80	M 16	135	-	24	3	-	64	2	12	20	20	395
GN 41-80-M16-135-D3-W	80	M 16	135	-	24	3	5	64	-	12	20	20	405
GN 41-80-M16-160-D0-W	80	M 16	160	-	24	3	-	64	-	12	20	20	422
GN 41-80-M16-160-B0-W	80	M 16	160	8.5	24	3	-	64	-	12	20	20	423
GN 41-80-M16-160-D1-W	80	M 16	160	-	24	3	-	64	2	12	20	20	436
GN 41-80-M16-160-D3-W	80	M 16	160	-	24	3	5	64	-	12	20	20	446
GN 41-80-M16-185-D0-W	80	M 16	185	-	24	3	-	64	-	12	20	20	462
GN 41-80-M16-185-B0-W	80	M 16	185	8.5	24	3	-	64	-	12	20	20	463
GN 41-80-M16-185-D1-W	80	M 16	185	-	24	3	-	64	2	12	20	20	476
GN 41-80-M16-185-D3-W	80	M 16	185	-	24	3	5	64	-	12	20	20	486
GN 41-80-M20-134-D0-W	80	M 20	134	-	30	3	-	64	-	16	24	20	561
GN 41-80-M20-134-B0-W	80	M 20	134	8.5	30	3	-	64	-	16	24	20	561
GN 41-80-M20-134-D1-W	80	M 20	134	-	30	3	-	64	2	16	24	20	575
GN 41-80-M20-134-D3-W	80	M 20	134	-	30	3	5	64	-	16	24	20	585

GN 41-W

STAINLESS STEEL

Description	d1	d2	l3 +4	d3	d5	h1	h6	m	s	A/F 5	A/F 6	Static load in kN	
GN 41-80-M20-159-D0-W	80	M 20	159	-	30	3	-	64	-	16	24	20	624
GN 41-80-M20-159-B0-W	80	M 20	159	8.5	30	3	-	64	-	16	24	20	624
GN 41-80-M20-159-D1-W	80	M 20	159	-	30	3	-	64	2	16	24	20	638
GN 41-80-M20-159-D3-W	80	M 20	159	-	30	3	5	64	-	16	24	20	648
GN 41-80-M20-184-D0-W	80	M 20	184	-	30	3	-	64	-	16	24	20	687
GN 41-80-M20-184-B0-W	80	M 20	184	8.5	30	3	-	64	-	16	24	20	687
GN 41-80-M20-184-D1-W	80	M 20	184	-	30	3	-	64	2	16	24	20	701
GN 41-80-M20-184-D3-W	80	M 20	184	-	30	3	5	64	-	16	24	20	711
GN 41-80-M20-234-D0-W	80	M 20	234	-	30	3	-	64	-	16	24	20	811
GN 41-80-M20-234-B0-W	80	M 20	234	8.5	30	3	-	64	-	16	24	20	811
GN 41-80-M20-234-D1-W	80	M 20	234	-	30	3	-	64	2	16	24	20	825
GN 41-80-M20-234-D3-W	80	M 20	234	-	30	3	5	64	-	16	24	20	835
GN 41-80-M24-159-D0-W	80	M 24	159	-	35	3	-	64	-	20	30	22	862
GN 41-80-M24-159-B0-W	80	M 24	159	8.5	35	3	-	64	-	20	30	22	863
GN 41-80-M24-159-D1-W	80	M 24	159	-	35	3	-	64	2	20	30	22	876
GN 41-80-M24-159-D3-W	80	M 24	159	-	35	3	5	64	-	20	30	22	889
GN 41-80-M24-209-D0-W	80	M 24	209	-	35	3	-	64	-	20	30	22	1040
GN 41-80-M24-209-B0-W	80	M 24	209	8.5	35	3	-	64	-	20	30	22	1041
GN 41-80-M24-209-D1-W	80	M 24	209	-	35	3	-	64	2	20	30	22	1054
GN 41-80-M24-209-D3-W	80	M 24	209	-	35	3	5	64	-	20	30	22	1067
GN 41-80-M24-259-D0-W	80	M 24	259	-	35	3	-	64	-	20	30	22	1219
GN 41-80-M24-259-B0-W	80	M 24	259	8.5	35	3	-	64	-	20	30	22	1220
GN 41-80-M24-259-D1-W	80	M 24	259	-	35	3	-	64	2	20	30	22	1233
GN 41-80-M24-259-D3-W	80	M 24	259	-	35	3	5	64	-	20	30	22	1246





GN 41-X

STAINLESS STEEL

Description	d1	d2	l7	d3	h1	h6	l4	l5	l6	m	s	A/F7	t	Static load in kN
GN 41-40-M8-25-D0-X	40	M 8	25	-	2	-	-	-	-	30	-	14	8	62
GN 41-40-M8-25-B0-X	40	M 8	25	5.4	2	-	-	-	-	30	-	14	8	160
GN 41-40-M8-25-D1-X	40	M 8	25	-	2	-	-	-	-	30	1.5	14	8	65
GN 41-40-M8-25-D3-X	40	M 8	25	-	2	3.5	-	-	-	30	-	14	8	63
GN 41-40-M10-28-D1-X	40	M 10	28	-	2	-	-	-	-	30	-	14	10	62
GN 41-40-M10-28-D0-X	40	M 10	28	-	2	-	-	-	-	30	-	14	10	160
GN 41-40-M10-28-B0-X	40	M 10	28	5.4	2	-	-	-	-	30	-	14	10	12
GN 41-40-M10-28-D3-X	40	M 10	28	-	2	3.5	-	-	-	30	-	14	10	63
GN 41-40-M12-31-D0-X	40	M 12	31	-	2	-	-	-	-	30	-	17	12	77
GN 41-40-M12-31-D1-X	40	M 12	31	-	2	-	-	-	-	30	1.5	17	12	175
GN 41-40-M12-31-B0-X	40	M 12	31	5.4	2	-	-	-	-	30	-	17	12	12
GN 41-40-M12-31-D3-X	40	M 12	31	-	2	3.5	-	-	-	30	-	17	12	78
GN 41-40-M16-37-D0-X	40	M 16	37	-	2	-	-	-	-	30	-	22	16	12
GN 41-40-M16-37-D1-X	40	M 16	37	-	2	-	-	-	-	30	1.5	22	16	93
GN 41-40-M16-37-D3-X	40	M 16	37	-	2	3.5	-	-	-	30	-	22	16	105
GN 41-50-M8-25-D0-X	50	M 8	25	-	2.5	-	-	-	-	38	-	14	8	82
GN 41-50-M8-25-B0-X	50	M 8	25	6.6	2.5	-	-	-	-	38	-	14	8	79
GN 41-50-M8-25-D1-X	50	M 8	25	-	2.5	-	-	-	-	38	2	14	8	88
GN 41-50-M8-25-D3-X	50	M 8	25	-	2.5	4	-	-	-	38	-	14	8	83
GN 41-50-M10-28-D0-X	50	M 10	28	-	2.5	-	-	-	-	38	-	14	10	82
GN 41-50-M10-28-B0-X	50	M 10	28	6.6	2.5	-	-	-	-	38	-	14	10	79
GN 41-50-M10-28-D1-X	50	M 10	28	-	2.5	-	-	-	-	38	2	14	10	88
GN 41-50-M10-28-D3-X	50	M 10	28	-	2.5	4	-	-	-	38	-	14	10	83
GN 41-50-M12-32-D0-X	50	M 12	32	-	2.5	-	-	-	-	38	-	17	12	97
GN 41-50-M12-32-B0-X	50	M 12	32	6.6	2.5	-	-	-	-	38	-	17	12	94
GN 41-50-M12-32-D1-X	50	M 12	32	-	2.5	-	-	-	-	38	2	17	12	103
GN 41-50-M12-32-D3-X	50	M 12	32	-	2.5	4	-	-	-	38	-	17	12	98
GN 41-50-M16-37-D0-X	50	M 16	37	-	2.5	-	-	-	-	38	-	22	16	113
GN 41-50-M16-37-B0-X	50	M 16	37	6.6	2.5	-	-	-	-	38	-	22	16	110
GN 41-50-M16-37-D1-X	50	M 16	37	-	2.5	-	-	-	-	38	2	22	16	114
GN 41-50-M16-37-D3-X	50	M 16	37	-	2.5	4	-	-	-	38	-	22	16	119
GN 41-60-M8-25-D0-X	60	M 8	25	-	2.5	-	-	-	-	48	-	14	8	96
GN 41-60-M8-25-B0-X	60	M 8	25	6.6	2.5	-	-	-	-	48	-	14	8	96
GN 41-60-M8-25-D1-X	60	M 8	25	-	2.5	-	-	-	-	48	2	14	8	104
GN 41-60-M8-25-D3-X	60	M 8	25	-	2.5	4.5	-	-	-	48	-	14	8	103
GN 41-60-M10-28-D0-X	60	M 10	28	-	2.5	-	-	-	-	48	-	14	10	96

GN 41-X

STAINLESS STEEL

Description	d1	d2	l7	d3	h1	h6	l4	l5	l6	m	s	A/F7	t	Static load in kN
GN 41-60-M10-28-B0-X	60	M 10	28	6.6	2.5	-	-	-	-	48	-	14	10	14
GN 41-60-M10-28-D1-X	60	M 10	28	-	2.5	-	-	-	-	48	2	14	10	14
GN 41-60-M10-28-D3-X	60	M 10	28	-	2.5	4.5	-	-	-	48	-	14	10	14
GN 41-60-M12-32-D0-X	60	M 12	32	-	2.5	-	-	-	-	48	-	17	12	16
GN 41-60-M12-32-B0-X	60	M 12	32	6.6	2.5	-	-	-	-	48	-	17	12	16
GN 41-60-M12-32-D1-X	60	M 12	32	-	2.5	-	-	-	-	48	2	17	12	16
GN 41-60-M12-32-D3-X	60	M 12	32	-	2.5	4.5	-	-	-	48	-	17	12	16
GN 41-60-M16-37-D0-X	60	M 16	37	-	2.5	-	45	45	29	48	-	22	16	16
GN 41-60-M16-37-B0-X	60	M 16	37	6.6	2.5	-	45	45	29	48	-	22	16	16
GN 41-60-M16-37-D1-X	60	M 16	37	-	2.5	-	45	45	29	48	2	22	16	16
GN 41-60-M16-37-D3-X	60	M 16	37	-	2.5	4.5	45	45	29	48	-	22	16	16
GN 41-80-M8-26-D0-X	80	M 8	26	3	-	-	-	-	-	64	-	14	8	8
GN 41-80-M8-26-B0-X	80	M 8	26	8.5	3	-	-	-	-	64	-	14	8	8
GN 41-80-M8-26-D1-X	80	M 8	26	-	3	-	-	-	-	64	2	14	8	8
GN 41-80-M8-26-D3-X	80	M 8	26	-	3	5	-	-	-	64	-	14	8	8
GN 41-80-M10-29-D0-X	80	M 10	29	3	-	-	-	-	-	64	-	14	10	14
GN 41-80-M10-29-B0-X	80	M 10	29	8.5	3	-	-	-	-	64	-	14	10	14
GN 41-80-M10-29-D1-X	80	M 10	29	-	3	-	-	-	-	64	2	14	10	14
GN 41-80-M10-29-D3-X	80	M 10	29	-	3	5	-	-	-	64	-	14	10	14
GN 41-80-M12-32-D0-X	80	M 12	32	-	3	-	-	-	-	64	-	17	12	20
GN 41-80-M12-32-B0-X	80	M 12	32	8.5	3	-	-	-	-	64	-	17	12	20
GN 41-80-M12-32-D1-X	80	M 12	32	-	3	-	-	-	-	64	2	17	12	20
GN 41-80-M12-32-D3-X	80	M 12	32	-	3	5	-	-	-	64	-	17	12	20
GN 41-80-M16-38-D0-X	80	M 16	38	-	3	-	45	45	29	64	-	22	16	20
GN 41-80-M16-38-B0-X	80	M 16	38	8.5	3	-	45	45	29	64	-	22	16	20
GN 41-80-M16-38-D1-X	80	M 16	38	-	3	-	45	45	29	64	2	22	16	20
GN 41-80-M16-38-D3-X	80	M 16	38	-	3	5	45	45	29	64	-	22	16	20
GN 41-80-M20-45-D0-X	80	M 20	45	-	3	-	56	56	37	64	-	27	20	20
GN 41-80-M20-45-B0-X	80	M 20	45	8.5	3	-	56	56	37	64	-	27	20	20
GN 41-80-M20-45-D1-X	80	M 20	45	-	3	-	56	56	37	64	2	27	20	20
GN 41-80-M20-45-D3-X	80	M 20	45	-	3	5	56	56	37	64	-	27	20	20

Leveling elements 11